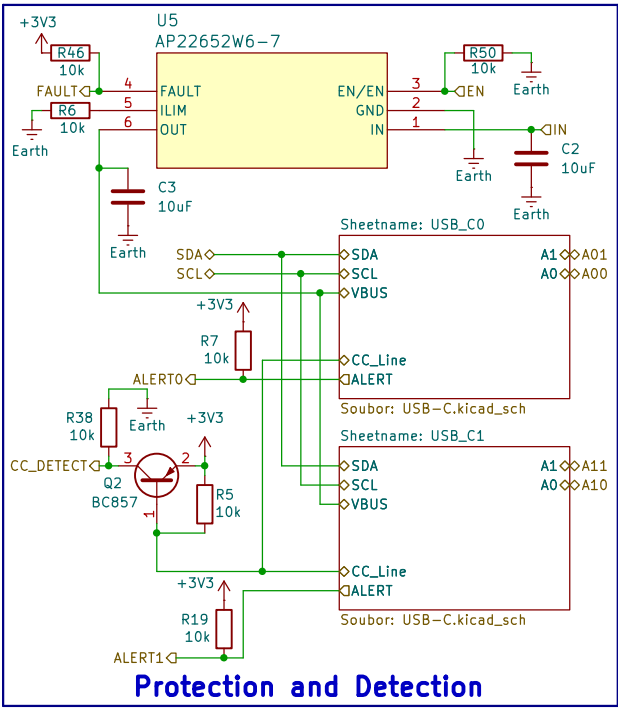
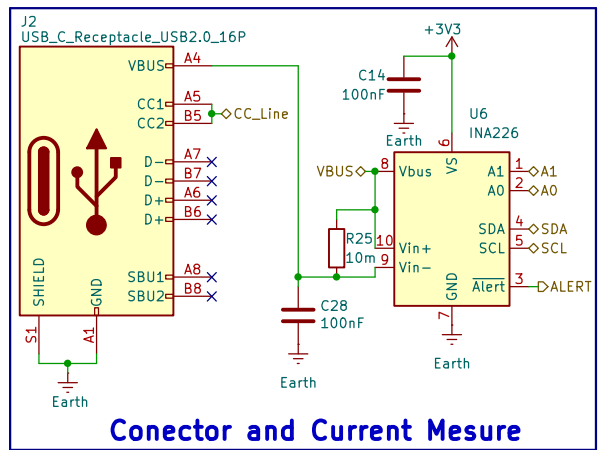


Skaut0071	
Sheet: /	
File: SlimeVR_Dock.kicad_sch	
Title: SlimeVR Dock	
Size: A4	Date: 2026-05-16
KiCad E.D.A. 10.0.2	Rev: 2.0
	Id: 1/14



Sheet: /Dua_USB-C_SubSchema0/
 File: DUSBSS.kicad_sch

Title:		Rev:	
Size: A4	Date:		
KiCad E.D.A. 10.0.2		Id: 2/14	



Sheet: /Dual_USB-C_SubSchema0/USB_C0/
File: USB-C.kicad_sch

Title:

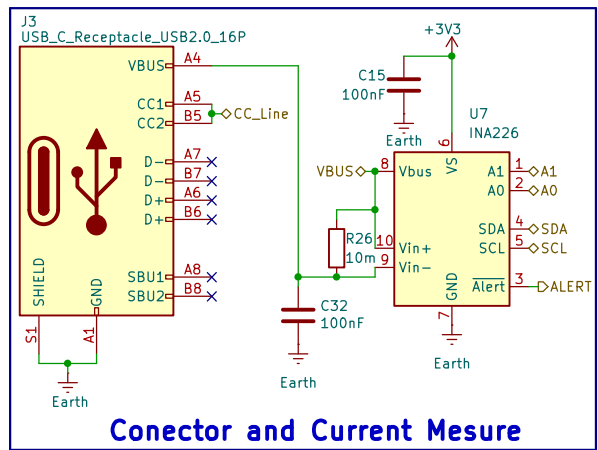
Size: A4

Date:

Rev:

KiCad E.D.A. 10.0.2

Id: 3/14



Conector and Current Mesure

Sheet: /Dual_USB-C_SubSchema0/USB_C1/
 File: USB-C.kicad_sch

Title:

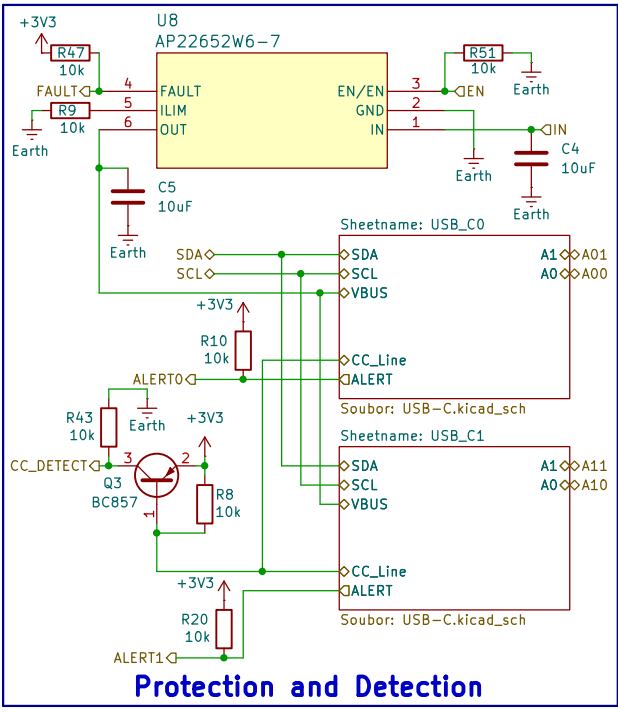
Size: A4

Date:

Rev:

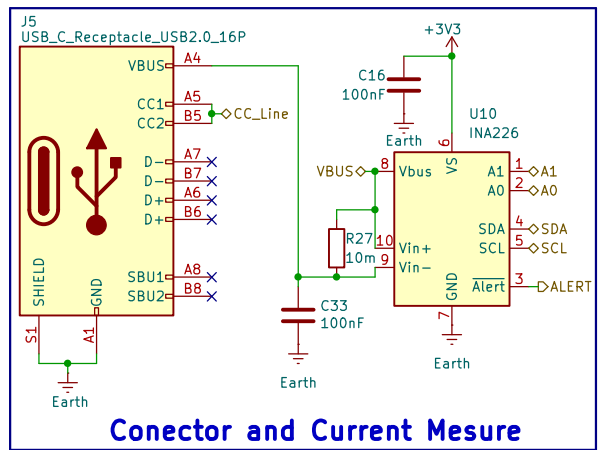
KiCad E.D.A. 10.0.2

Id: 4/14



Sheet: /Dual_USB-C_SubSchema1/
 File: DUSBSS.kicad_sch

Title:		
Size: A4	Date:	Rev:
KiCad E.D.A. 10.0.2		Id: 5/14



Sheet: /Dual_USB-C_SubSchema1/USB_C1/
 File: USB-C.kicad_sch

Title:

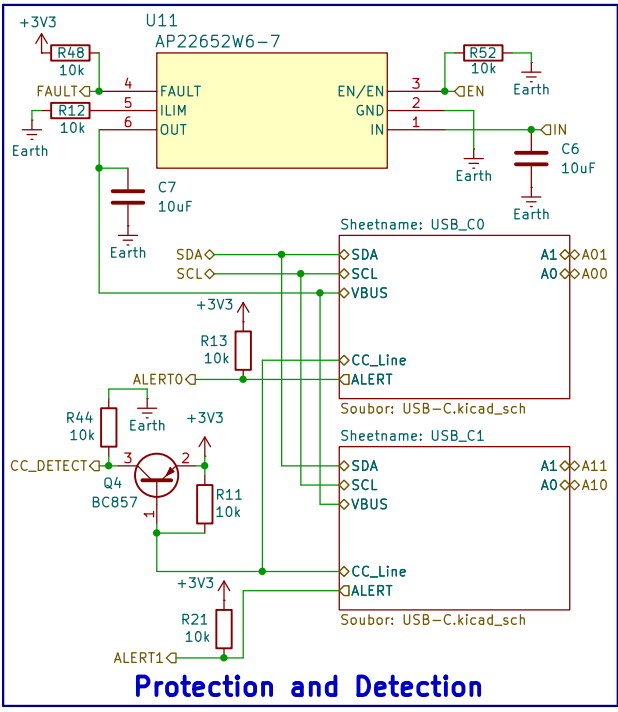
Size: A4

Date:

Rev:

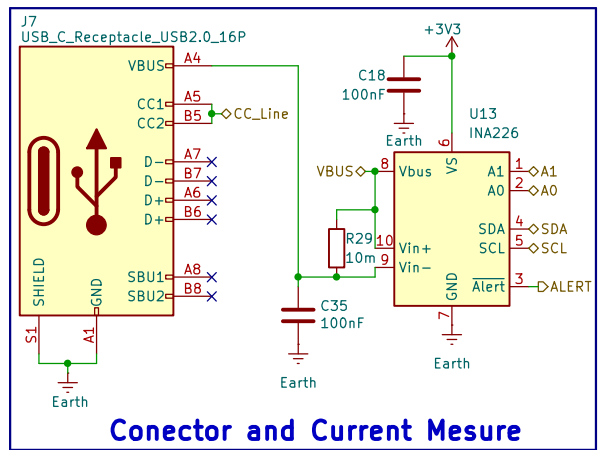
KiCad E.D.A. 10.0.2

Id: 6/14



Sheet: /Dua_USB-C_SubSchema2/
 File: DUSBSS.kicad_sch

Title:		Rev:	
Size: A4	Date:		
KiCad E.D.A. 10.0.2		Id: 8/14	



Sheet: /Dual_USB-C_SubSchema2/USB_C1/
 File: USB-C.kicad_sch

Title:

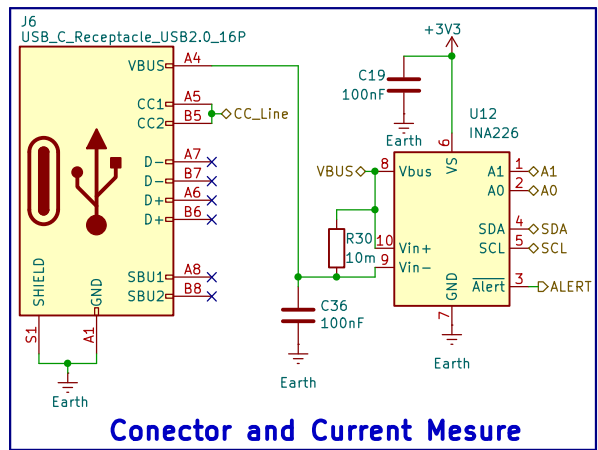
Size: A4

Date:

Rev:

KiCad E.D.A. 10.0.2

Id: 9/14



Conector and Current Mesure

Sheet: /Dual_USB-C_SubSchema2/USB_C0/
 File: USB-C.kicad_sch

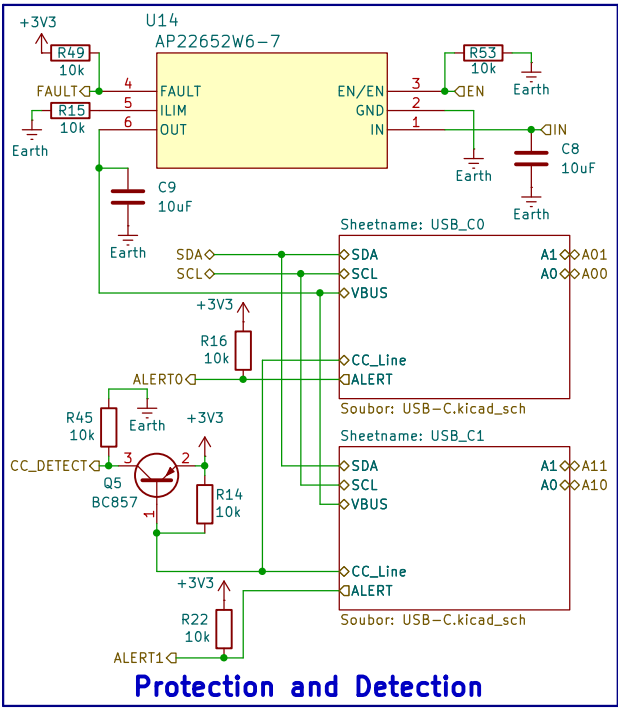
Title:

Size: A4 Date:

KiCad E.D.A. 10.0.2

Rev:

Id: 10/14



Sheet: /Dual_USB-C_SubSchema3/
 File: DUSBSS.kicad_sch

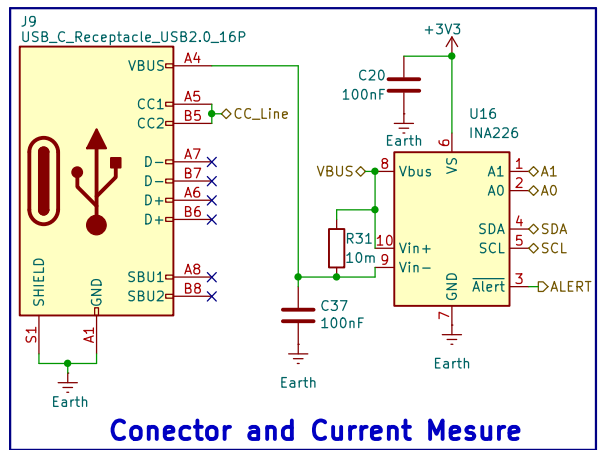
Title:

Size: A4
 KiCad E.D.A. 10.0.2

Date:

Rev:

Id: 11/14



Conector and Current Mesure

Sheet: /Dual_USB-C_SubSchema3/USB_C1/
 File: USB-C.kicad_sch

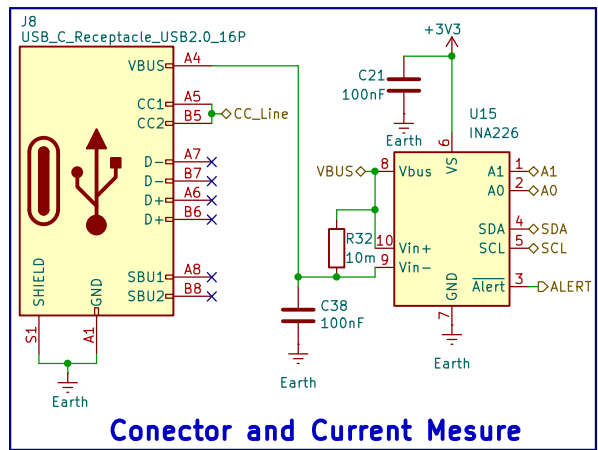
Title:

Size: A4 Date:

KiCad E.D.A. 10.0.2

Rev:

Id: 12/14



Sheet: /Dual_USB-C_SubSchema3/USB_C0/
 File: USB-C.kicad_sch

Title:

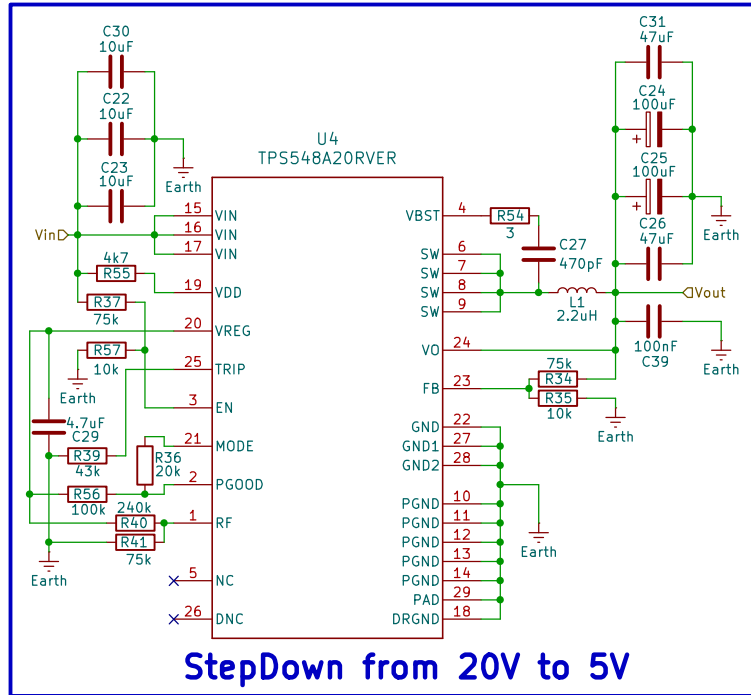
Size: A4

Date:

Rev:

KiCad E.D.A. 10.0.2

Id: 13/14



Sheet: /StepDown/
 File: StepDown.kicad_sch

Title:

Size: A4
 KiCad E.D.A. 10.0.2

Date:

Rev:

Id: 14/14